

TANK ORDERING INFORMATION

PLEASE PHOTOCOPY THIS PAGE, THEN FAX OR MAIL US YOUR TANK SPECS. WE WILL PROVIDE YOU WITH OUR RECOMMENDATIONS AND A NO OBLIGATION QUOTATION.

DATE _____ PHONE _____ FAX _____

YOUR NAME _____

COMPANY _____

ADDRESS _____

CITY, STATE, ZIP _____

TANK DIMENSIONS, INSIDE:

LENGTH _____

WIDTH _____

DEPTH _____

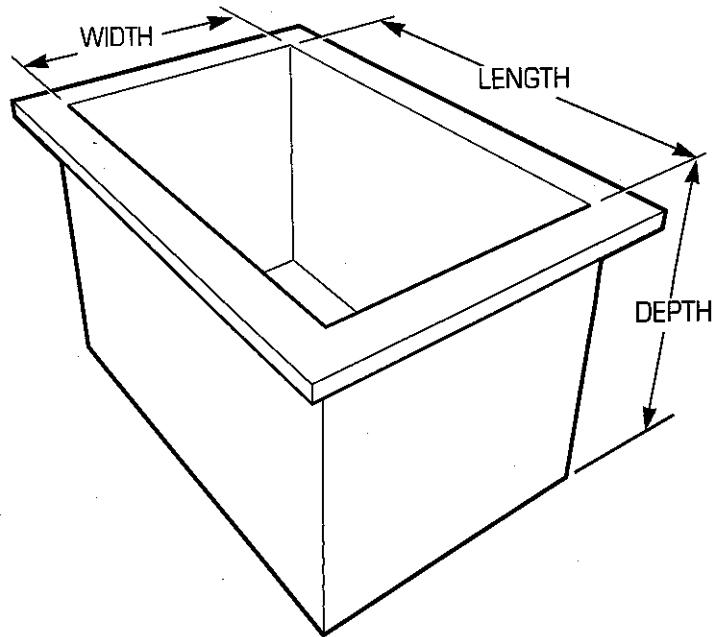
GALLONS _____

SOLUTION LEVEL FROM TANK LIP _____

TANK LIP DIMENSIONS:

WIDE _____

THICK _____



NOTES: _____

